

# Data Sheet

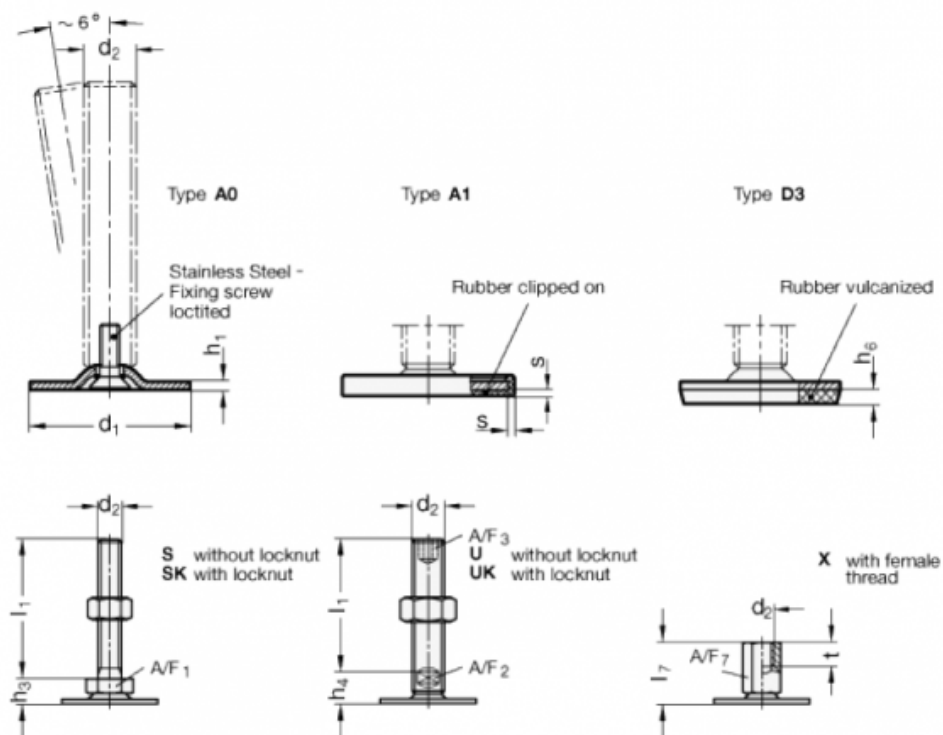


Article number: 204060M12125A0S

Description: E+G levelling foot  
GN 40-60-M12-125-A0-S

Note: S Without nut, External hexagon at the bottom

## Measures



A/F1	= 17
d1	= 60
d2	= M12
h1	= 2.5
h3	= 11
h6	=
l1	= 125
s	=